

# EMH Wire Rope Hoists

## Dimensions and Specifications

**Hoist Model: EH8050 HF**  
**Trolley Type: Top Running for Double Girder Cranes**

**Reeving: 4 to 2**

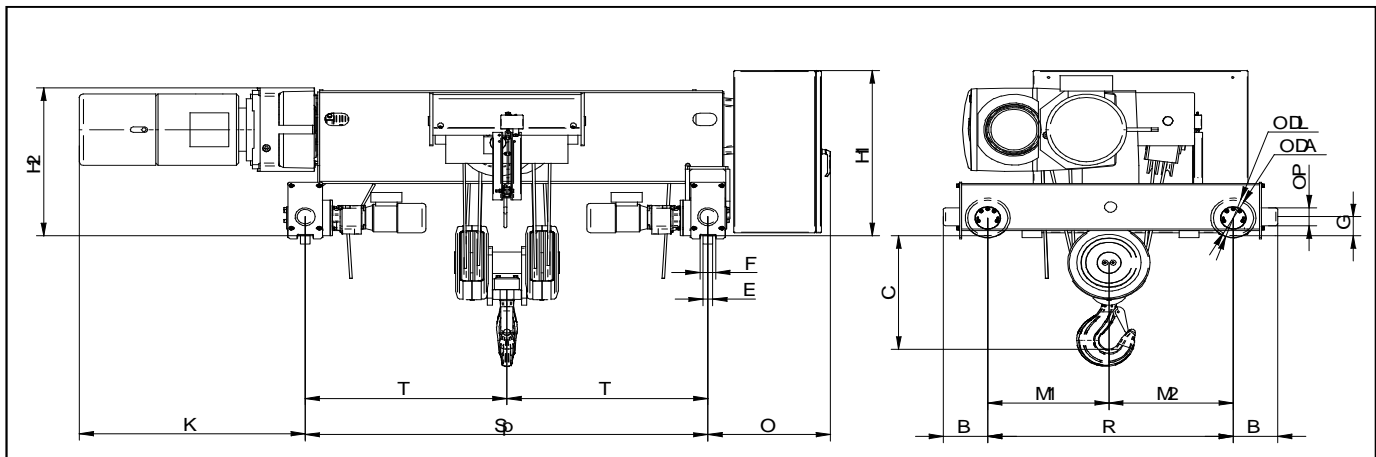
**Capacity: 5 tons**

|                          |            |        |
|--------------------------|------------|--------|
| <b>Rope Diameter:</b>    | 0.31"      | 8 mm   |
| <b>Drum Diameter:</b>    | 6.73"      | 171 mm |
| <b>Hoist Motor HP:</b>   | 10 HP      |        |
| <b>Trolley Motor HP:</b> | 2x 0.5 HP  |        |
| <b>Lifting Speed:</b>    | 25 FPM VFD |        |
| <b>Trolley Speed:</b>    | 80 FPM VFD |        |

| Duty Service Classification |    |
|-----------------------------|----|
| <b>HMI</b>                  | H4 |
| <b>FEM</b>                  | 2m |
| <b>CMAA</b>                 | D  |
| <b>ISO</b>                  | M5 |

| Dimensions (inch)                                |                |          |           |        |
|--|----------------|----------|-----------|--------|
| Refer to drawing below. Rail width E is for ref. | <b>H1</b>      |          | <b>C</b>  | 12     |
|  | <b>H2</b>      | 22       | <b>B</b>  | 6.45   |
|  | <b>K</b>       | 29       | <b>M1</b> | 21.06  |
|  | <b>T</b>       | =SP*0.5  | <b>M2</b> | 21.06  |
|  | <b>O*</b>      | 15       | <b>R</b>  | 42.125 |
|  | <b>F</b>       | 2.63     | <b>DL</b> | 124 mm |
|  | <b>E (max)</b> | 2.0      | <b>DA</b> | 100 mm |
|  |                |          | <b>P</b>  | 3.15   |
|  |                | <b>G</b> | 3.25      |        |

| Standard SP (trolley gauge): |       |        |        |
|------------------------------|-------|--------|--------|
|                              | 20 ft | 30 ft  | 50 ft  |
| <b>(May vary with lift)</b>  | 63"   | 78.75" | 98.75" |
| <b>Weight lbs</b>            | 1570  | 1770   | 2000   |



**E·M·H<sup>®</sup>**  
**Engineered Material Handling**