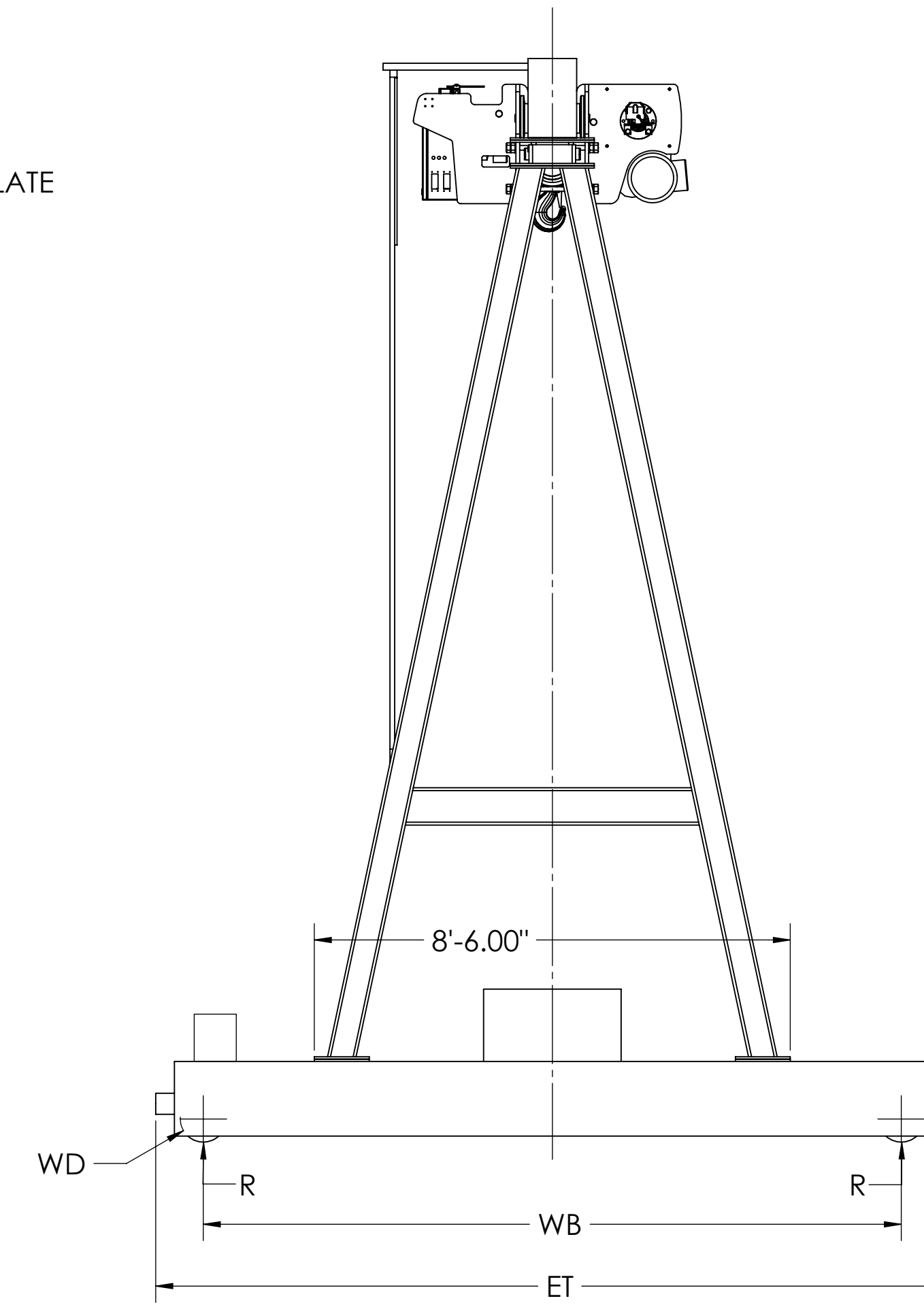
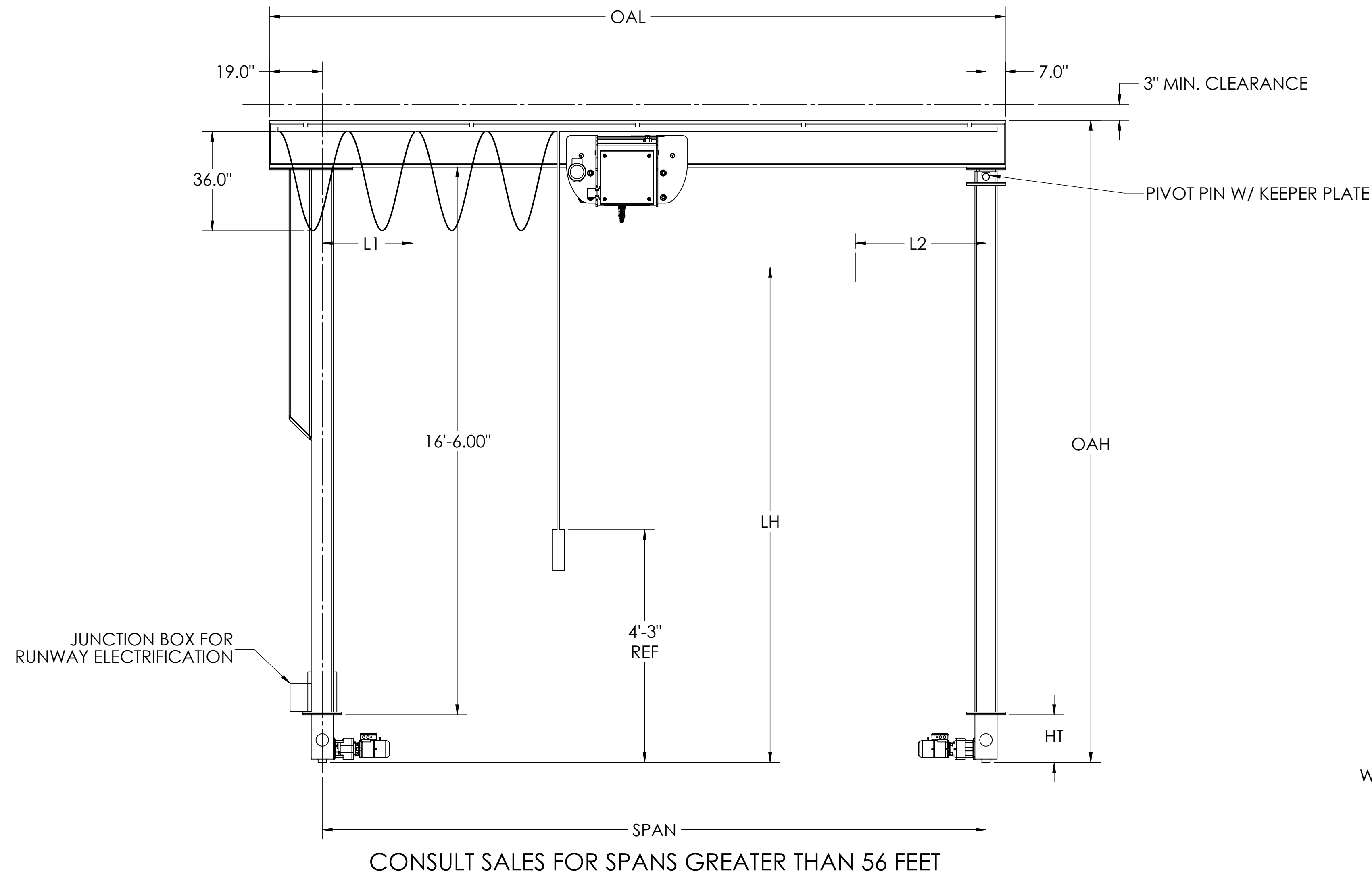
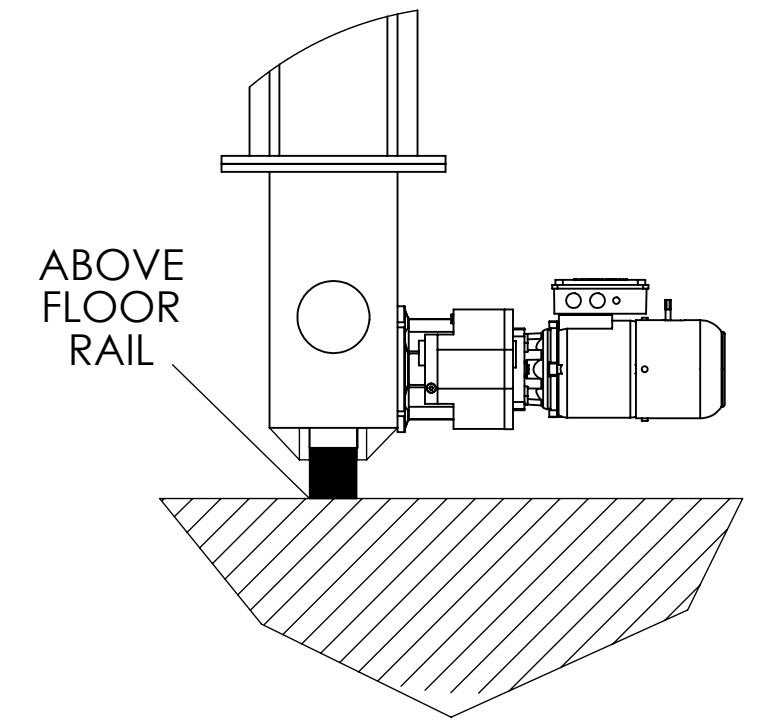


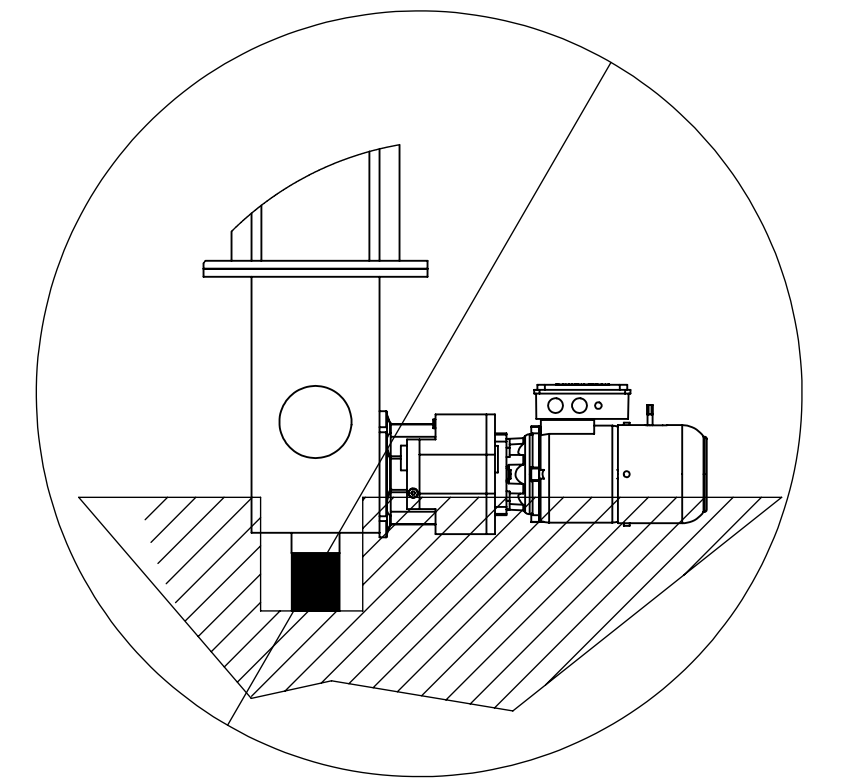
- NOTE:
 1. TORQUE ϕ 3/4-10 A325 FASTENERS TO 350-425 FT-LBS
 2. RUNWAY ELECTRIFICATION IS STANDARD ON LEFT SIDE
 3. WHEEL LOADS DUE NOT INCLUDE IMPACT



GANTRY RAIL DETAIL



CLEARANCE NOTE: PATH OF ENDTRUCK AND DRIVE MUST BE FREE OF OBSTACLES. RAIL SHOULD BE ABOVE FLOOR.



UNLESS PROPERLY DESIGNED, A BELOW FLOOR RAIL WILL CAUSE INTERFERENCE WITH ENDTRUCK AND DRIVE. PLEASE CONTACT SALES WITH EXACT FLOOR AND RAIL DETAILS.

SINGLE GIRDER GANTRY CRANE - TYPE ELG-5

HOIST					ENDTRUCK - HSG						SYSTEM							
CAPACITY TONS	TYPE REEVING	SPEED FPM HP	TROLLEY HP	WEIGHT LBS	WHEEL DIAMETER 'WD'	SPEED FPM HP	WHEEL BASE 'WB'	LENGTH 'ET'	HEIGHT 'HT'	WT / EACH LBS	LIFT 'LH'	L1	L2	SPAN FT	HEIGHT 'OAH'	LENGTH 'OAL'	WHEEL LOAD 'R' LBS	SHIPPING WEIGHT LBS
5	EM1000E 4/1	16/2.6	0.75	1225	6.5"	120	12'-6"	13'-9"	12"	1000	16'-0"	26"	35"	20	18'-10"	22'-2"	7190	6280
														24	18'-10"	26'-2"	7260	6550
		28												18'-10"	30'-2"	7330	6810	
		32												19'-0"	34'-2"	7650	8100	
		36												19'-0"	38'-2"	7750	8490	
		40												19'-0"	42'-2"	7840	8880	
		44												19'-3"	46'-2"	8230	10420	
		48												19'-3"	50'-2"	8350	10900	
		52												19'-3"	54'-2"	8470	11390	
56	19'-6"	58'-2"	8940	13270														
		6.4/0.96				2X 1.0												