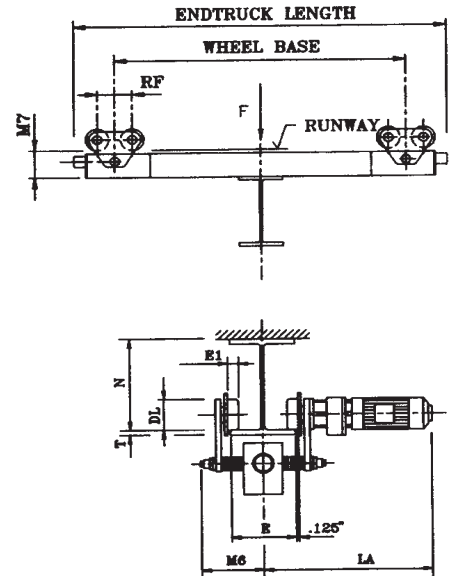
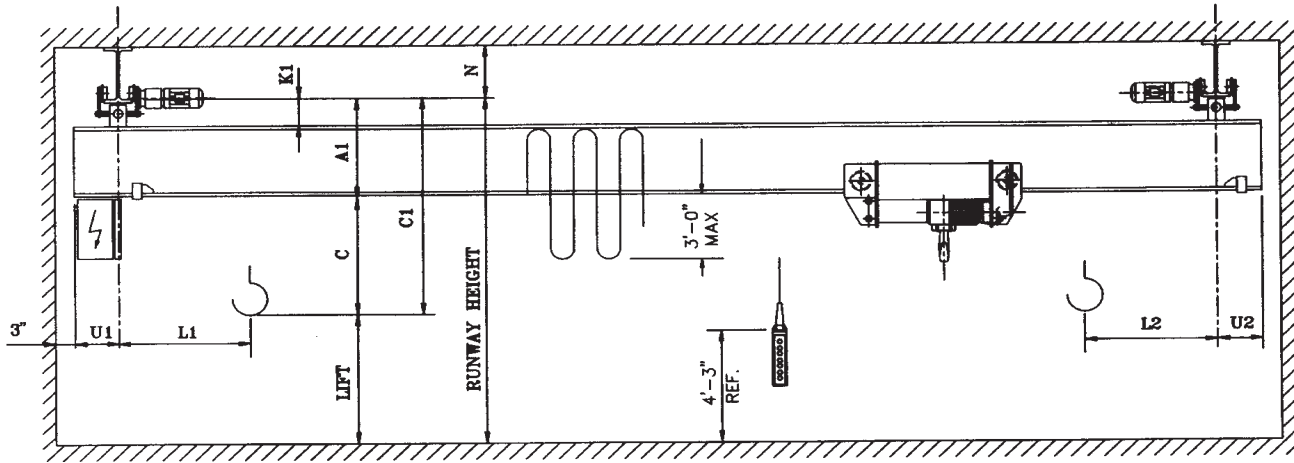


DLVM & EDL Under Running Single Girder Cranes



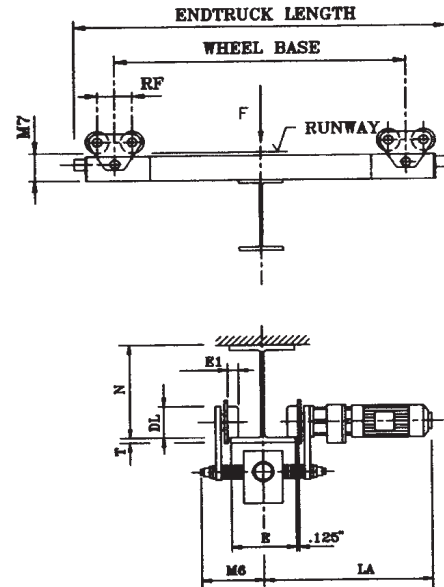
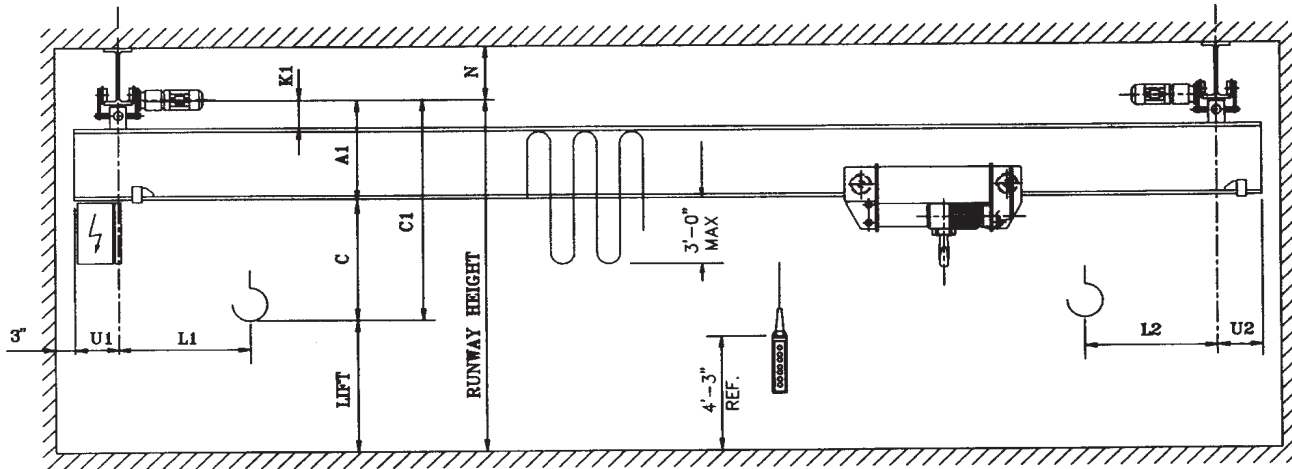
Note: See last page of DLVM section for drawing of low headroom EDL under running style.

DL	E min	E1	LA	M6	M7	N	RF	T
4	3.25	0.875	18	8.5	6.375	8	7.375	0.875

Max. U1/U2 = 20"

Single Girder Under Running Crane Type DLVM2

Cap. Tons	Hoist			Trolley			Endtruck			Bridge						Corner Load F Lbs.	Shipping Weight Lbs.			
	Type Reeving Rope Dia.	Speed FPM HP	Lift Ft.	Type Weight	HP per Motor 65/16 FPM	Wheel		HP per Motor 120/30 FPM	Span Ft.	U1/U2	L1 In.	L2 In.	A1 In.	C1 In.	K1 In.					
						Dia. In.	Base Ft.-In.											Length Ft.-In.		
2	820 4/1 0.25	16/2.6 .4/0.59	20	EM832L6 163.41.060 620 lbs.	.29/.07	4	5'-0" 6'-6" 7'-6"	6'-3" 7'-9" 8'-9"	2x0.33	20	12	-2	20	8	20	36	5630	3120		
													28		20	36			5800	3420
													32		20	36			5990	3920
													36		22	38			6260	4220
													40		22	38			6650	4720
													44		24	40			6920	5280
													48		26	42			7340	7070
													52		26	42			7800	7520
													56		26	42			8550	8094
													60		28	44			9100	9116



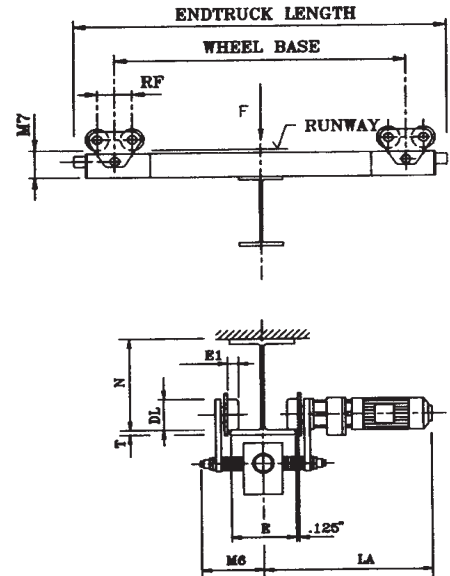
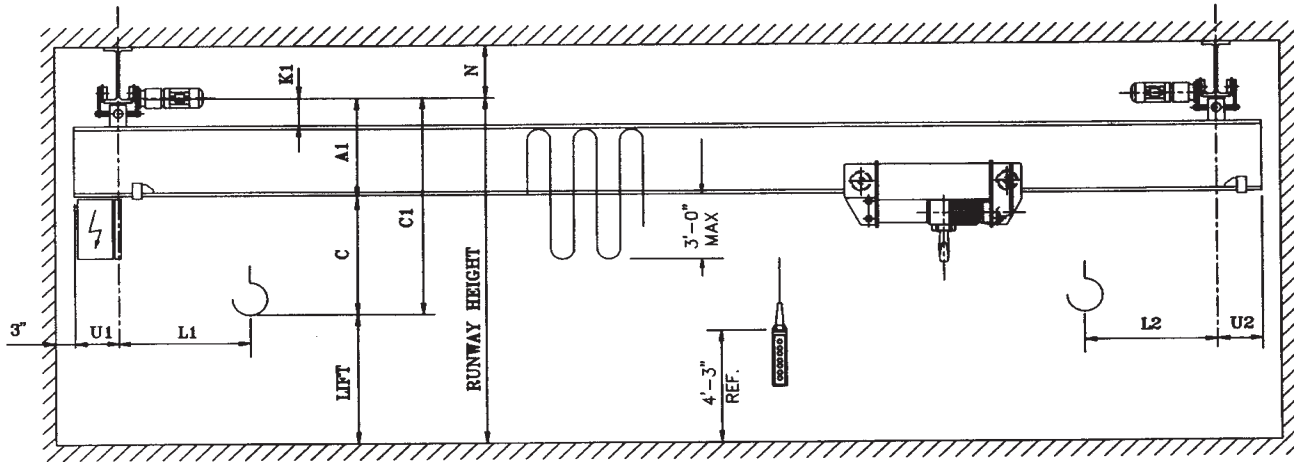
Note: See last page of DLVM section for drawing of low headroom EDL under running style.

DL	E min	E1	LA	M6	M7	N	RF	T
4	3.25	0.875	18	8.5	6.375	8	7.375	0.875
5.125	3.25	1	20	10	8.75	8.75	8.25	1.125

Max. U1/U2 = 20"

Single Girder Under Running Crane Type DLVM3

Cap. Tons	Hoist			Trolley		Endtruck				Bridge						Corner Load F Lbs.	Shipping Weight Lbs.	
	Type Reaving Rope Dia.	Speed FPM HP	Lift Ft.	Type Weight	HP per Motor 65/16 FPM	Wheel		HP per Motor 120 VFPM	Span Ft.	U1/U2	L1 In.	L2 In.	A1 In.	C1 In.	K1 In.			
						Dia. In.	Base Ft.-In.											Length Ft.-In.
3	832 4/1 0.25	16/2.6 0.4/.059	20	EM832L6 162.41.060 620 lbs.	.29/.07	4	5'-0"	6'-3"	2 x 0.33	24	20	12	2	20	38	8	8170	3720
								6'-6"		28				20	38	8	8520	3960
								8'-0"		32				22	40	8	8760	4520
								9'-0"		36				26	42	8	9270	6020
										40				26	42	10	9640	6320
										44				26	42	10	10170	7270
	5.125	7'-6"	9'-0"	2 x 0.75	48	28	44	10510	7820									
					52	28	44	11020	8920									
					56	28	44	11700	9720									
					60	28	44	11700	9720									
						28	44	12770	11080									
						28	44	12770	11080									



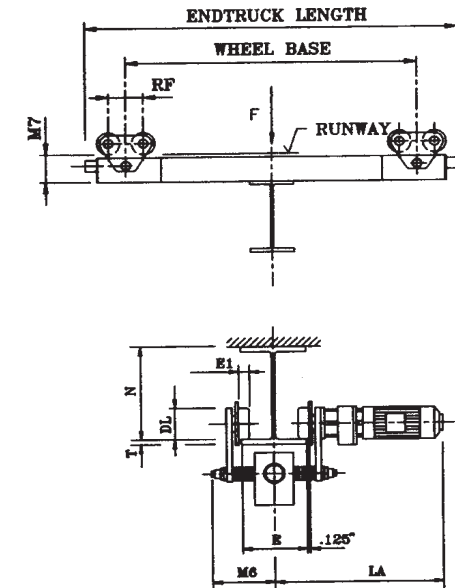
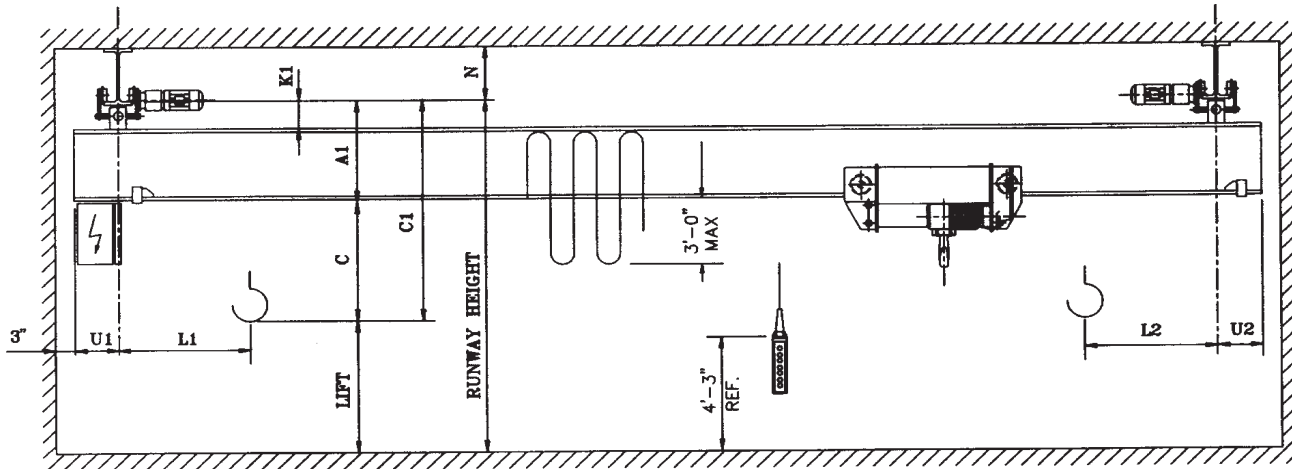
Note: See last page of DLVM section for drawing of low headroom EDL under running style.

DL	E min	E1	LA	M6	M7	N	RF	T
5.125	3.25	1	20	10	8.75	8.75	8.25	1.125

Max. U1/U2 = 20"

Single Girder Under Running Crane Type DLVM4

Cap. Tons	Hoist		Lift Ft.	Trolley		Endtruck			Bridge						Corner Load F Lbs.	Shipping Weight Lbs.		
	Type Reeving	Speed FPM		Type Weight	HP per Motor 65/16 FPM	Wheel Dia. In.	Base Ft.-In.	Length Ft.-In.	HP per Motor 120 VFPM	Span Ft.	U1/U2	L1 In.	L2 In.	A1 In.			C1 In.	K1 In.
	Rope Dia.	HP		Weight	FPM													
5	1050 4/1 0.4	16/2.6 7.86/1.26	20	EM1050L6 162.41.060 775 Lbs. .59/.144	5.125	5'-0"	6'-6"	2x0.75	24	20	14	3	26	46	10	12920	4865	
									28				26	46		13240	5215	
									32				28	48		13420	5915	
									36				28	48		13850	6575	
									40				28	48		14220	7395	
									44				28	48		14680	8435	
	48	31	51	15310	9055													
	52	31	51	15860	10475													
	56	31	51	16520	12055													
	60	34	54	17640	13655													
				33	EM1050L6 162.41.100 835 Lbs.	5.125	6'-6"	8'-0"	2x0.75	24	20	14	3	26	46	10	12920	4865
										28				26	46		13240	5215
32										28				48	13420		5915	



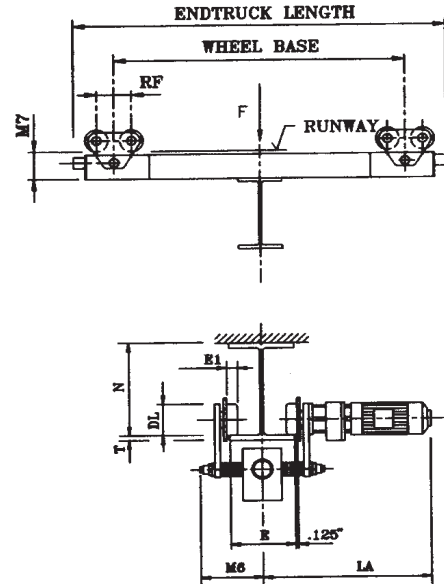
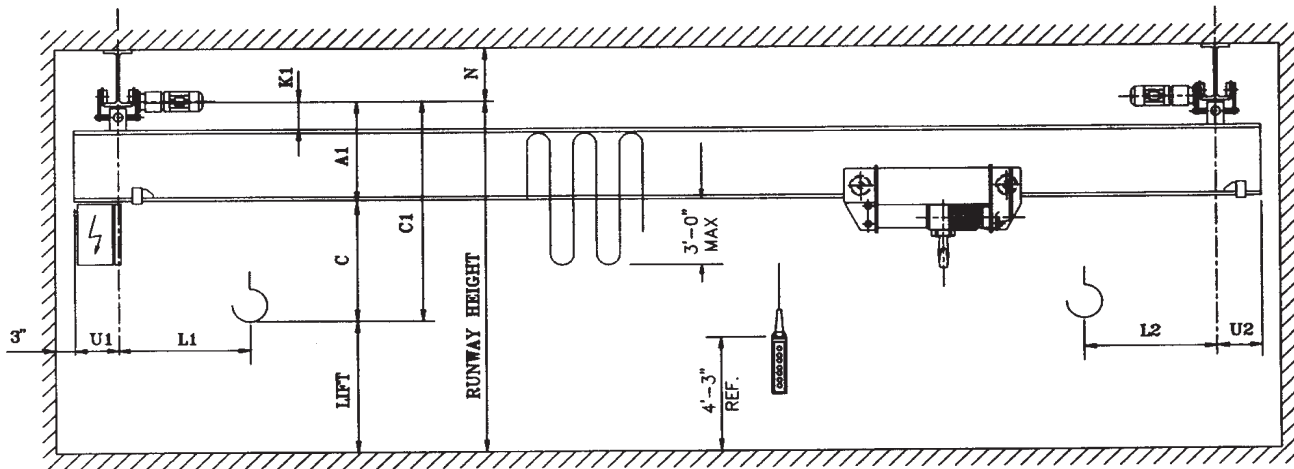
Note: See last page of DLVM section for drawing of low headroom EDL under running style.

DL	E min	E1	LA	M6	M7	N	RF	T
5.125	3.25	1	20	10	8.75	8.75	8.25	1.125
6.25	3.25	1	22	10	9	10.25	10.72	1.125

Max. U1/U2 = 20"

Single Girder Under Running Crane Type DLVM5

Cap. Tons	Hoist			Trolley		Endtruck				Bridge						Corner Load F Lbs.	Shipping Weight Lbs.													
	Type Reeving Rope Dia.	Speed FPM HP	Lift Ft.	Type Weight	HP per Motor 65/16 FPM	Wheel		HP per Motor 120 VFPM	Span Ft.	U1/U2	L1 In.	L2 In.	A1 In.	C1 In.	K1 In.															
						Dia. In.	Base Ft.-In.											Length Ft.-In.												
7.5	2063 4/1 0.4	17/2.8 8.8/1.3	20	EM2063L6 171.41.060 1200 Lbs.	.40/.10	5.125	5'-0"	6'-6"	2 x 0.75	24	20	23	10	26	49	10	17380	5600												
														28	51	10	17740	6050												
														32	51	10	18060	6900												
														36	51	10	18450	7300												
														40	51	10	18690	7800												
														44	54	10	19200	8580												
	6.25			33	EM2063L6 171.41.100 1320 Lbs.		6.25	6'-6"	8'-0"	2 x 1.0	48	20	23	10	34	57	12	19820	10400											
											52				34	57	12	20530	11060											
											56				37	60	12	21340	12990											
											60				37	60	12	22130	14920											



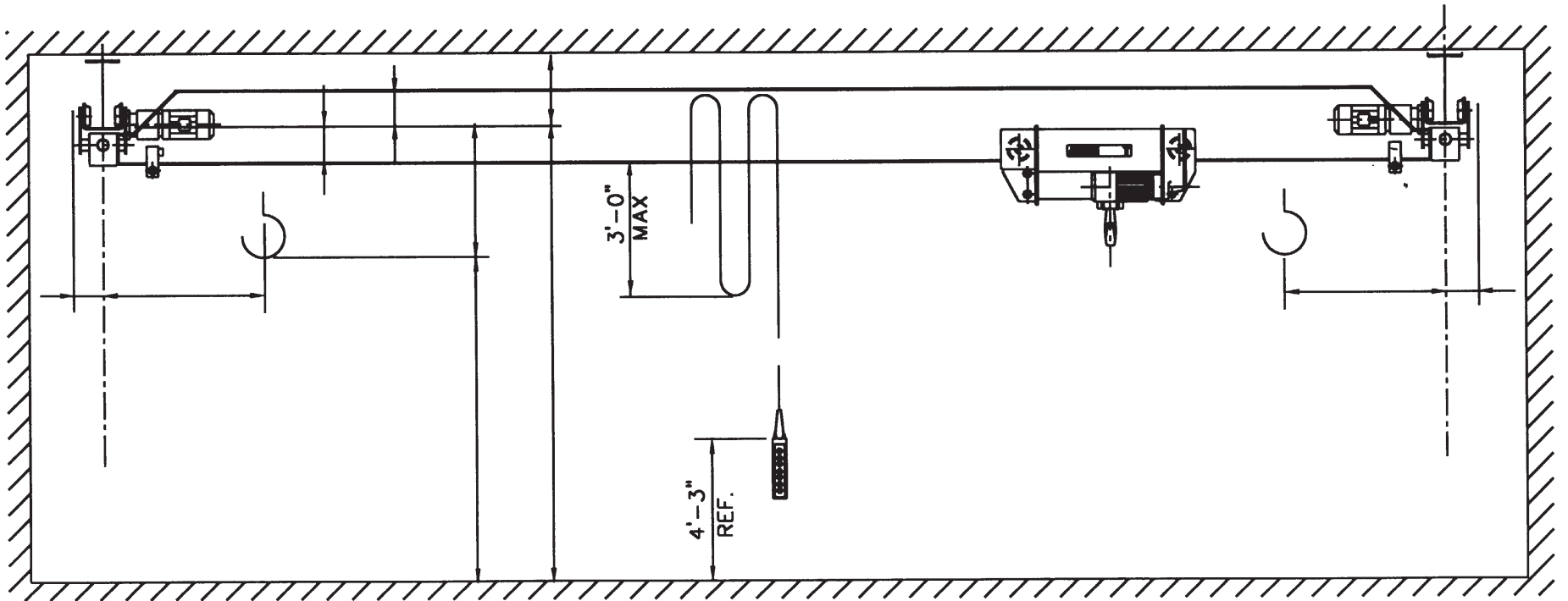
Note: See last page of DLVM section for drawing of low headroom EDL under running style.

DL	E min	E1	LA	M6	M7	N	RF	T
6.25	3.25	1.125	22	10	9	10.25	10.72	1.125

Max. U1/U2 = 20"

Single Girder Under Running Crane Type DLVM6

Cap. Tons	Hoist			Trolley		Endtruck			Bridge							Corner Load F Lbs.	Shipping Weight Lbs.
	Type Reaving Rope Dia.	Speed FPM	Lift Ft.	Type Weight	HP per Motor 65/16 FPM	Wheel		HP per Motor 120 VFPM	Span Ft.	U1/U2	L1 In.	L2 In.	A1 In.	C1 In.	K1 In.		
						Dia. In.	Base Ft.-In.										
10	3100 4/1 0.5	16/2.6 16.0/2.5	20 33	EM3100L6 162.41.060 2150 Lbs.	.59/.14	6.25	5'-6"	6'-10"	2 x 1.0	24	20	23	10	28	12	24660	
										28				25000			
										32				25400			
										36				25980			
										40				26300			
										44				26980			
	48	27340															
	52	28120															
	56	28940															
	60	29980															
							7'-6"	9'-0"								28940	16600
																29980	19480



EDL Low Headroom Under Running Crane