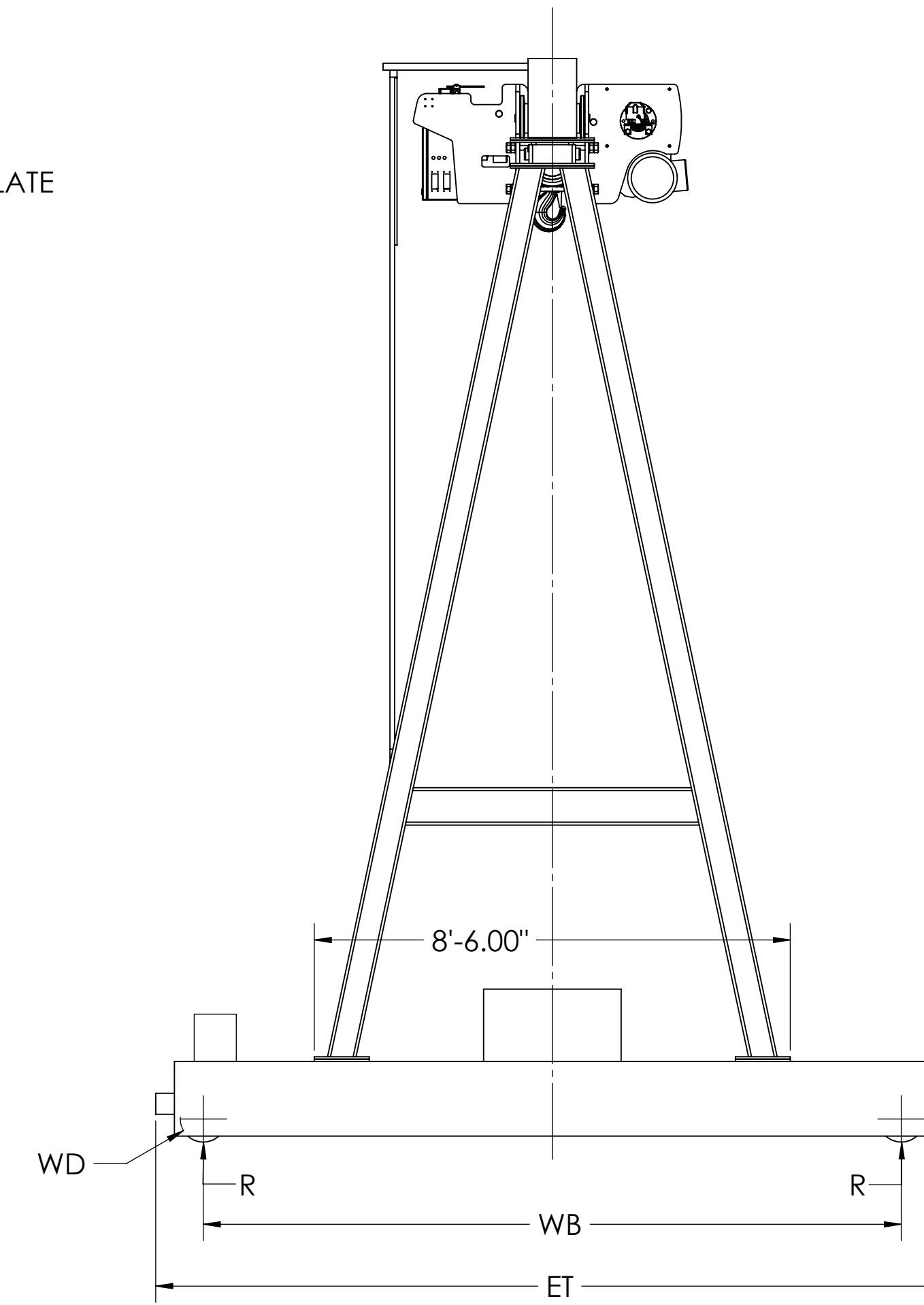
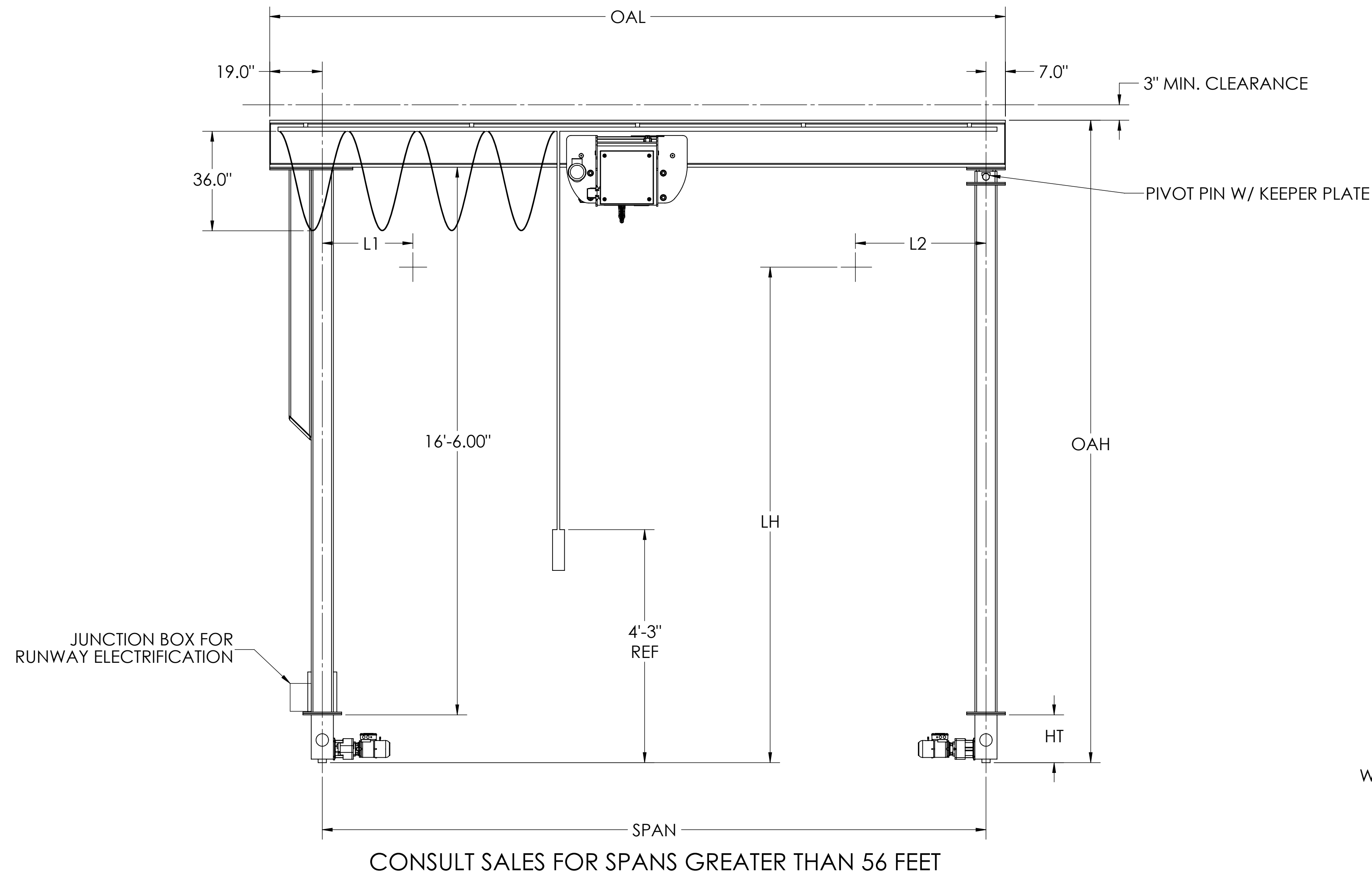
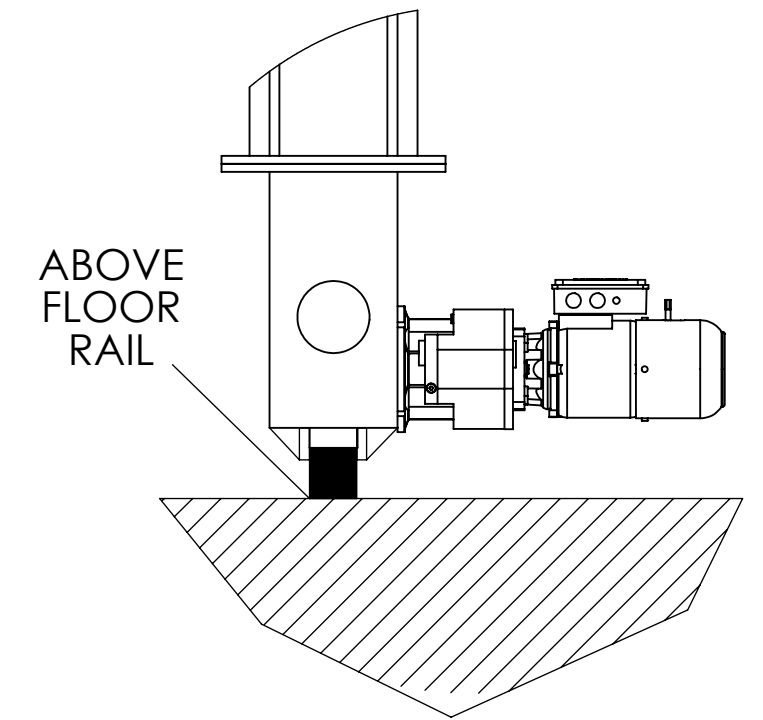


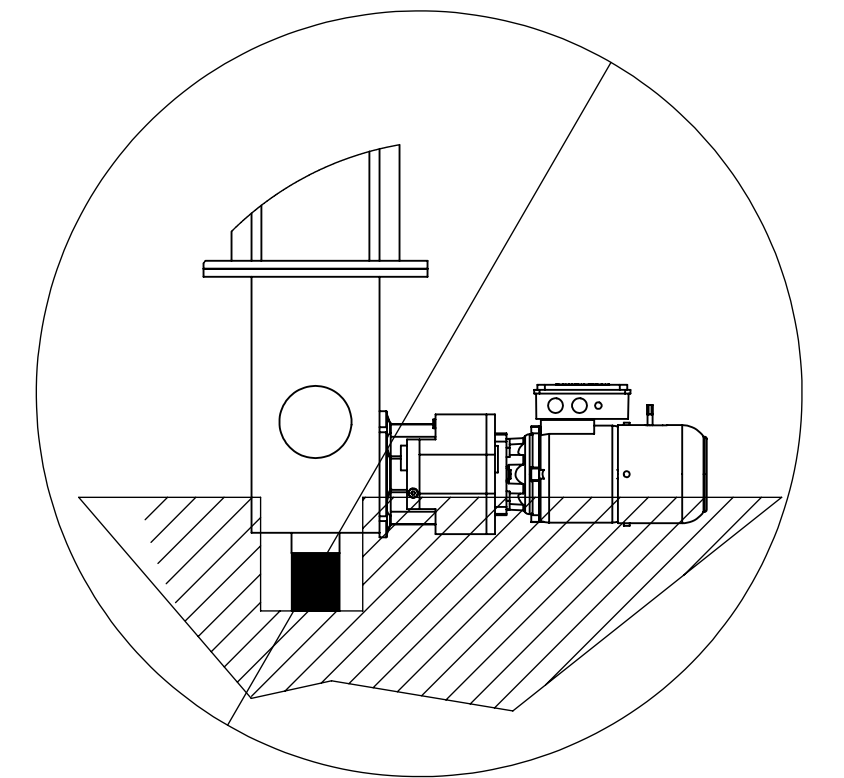
- NOTE:
 1. TORQUE ϕ 3/4-10 A325 FASTENERS TO 350-425 FT-LBS
 2. RUNWAY ELECTRIFICATION IS STANDARD ON LEFT SIDE
 3. WHEEL LOADS DUE NOT INCLUDE IMPACT



GANTRY RAIL DETAIL



CLEARANCE NOTE: PATH OF ENDTRUCK AND DRIVE MUST BE FREE OF OBSTACLES. RAIL SHOULD BE ABOVE FLOOR.



UNLESS PROPERLY DESIGNED, A BELOW FLOOR RAIL WILL CAUSE INTERFERENCE WITH ENDTRUCK AND DRIVE. PLEASE CONTACT SALES WITH EXACT FLOOR AND RAIL DETAILS.

SINGLE GIRDER GANTRY CRANE - TYPE ELG-7.5

HOIST					ENDTRUCK - HSG						SYSTEM								
CAPACITY TONS	TYPE REEVING	SPEED FPM HP	TROLLEY HP	WEIGHT LBS	WHEEL DIAMETER 'WD'	SPEED FPM HP	WHEEL BASE 'WB'	LENGTH 'ET'	HEIGHT 'HT'	WT / EACH LBS	LIFT 'LH'	L1	L2	SPAN FT	HEIGHT 'OAH'	LENGTH 'OAL'	WHEEL LOAD LBS	SHIPPING WEIGHT LBS	
7.5	EM2000E 4/1	16/2.6	0.75	1590	6.5"	120	12'-6"	13'-9"	12"	1000	16'-0"	28"	36"	20	18'-10"	22'-2"	10150	7560	
														24	18'-10"	26'-2"	10220	7830	
														28	19'-0"	30'-2"	10510	9000	
														32	19'-0"	34'-2"	10600	9390	
														36	19'-0"	38'-2"	10700	9780	
		40				19'-3"								42'-2"	11170	11630			
		44				19'-3"								46'-2"	11300	12160			
		48				19'-3"								50'-2"	11430	12690			
		52				19'-6"								54'-2"	12160	15590			
		56				19'-6"								58'-2"	12330	16300			

PROPERTY OF EMH INC. THIS DRAWING IS CONFIDENTIAL AND IT OR ANY COPIES THEREOF SHALL BE RETURNED UPON REQUEST.