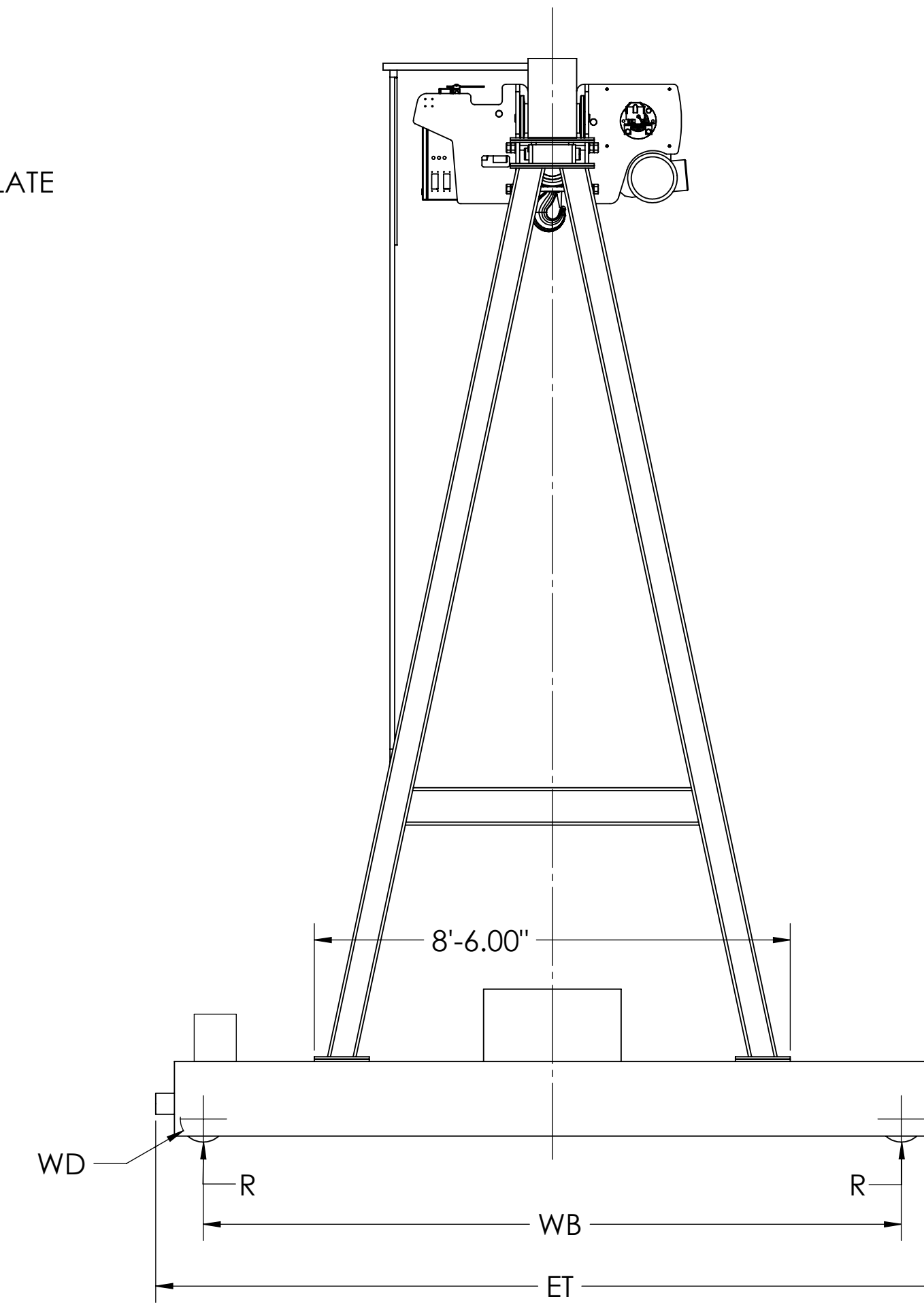
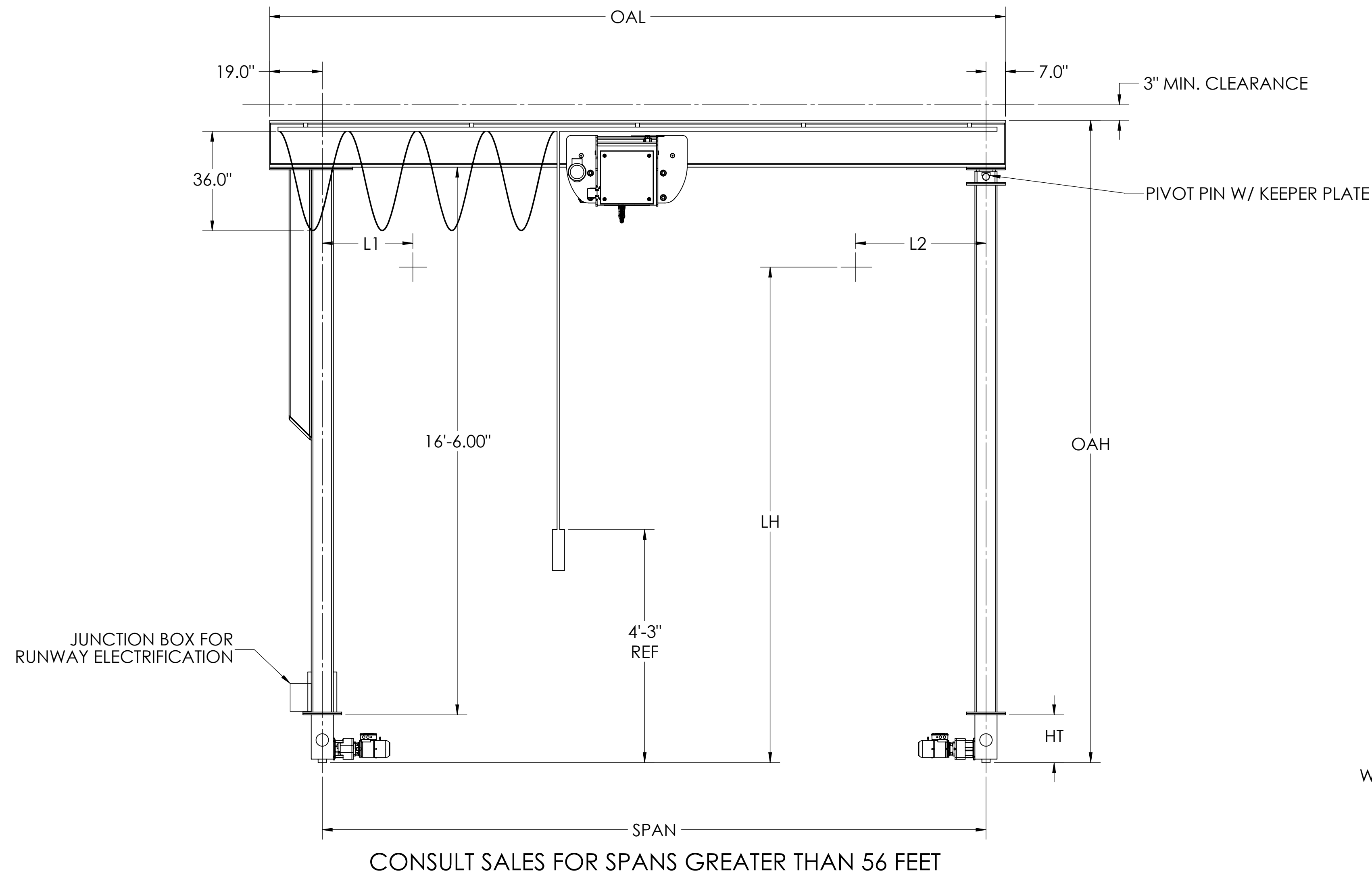
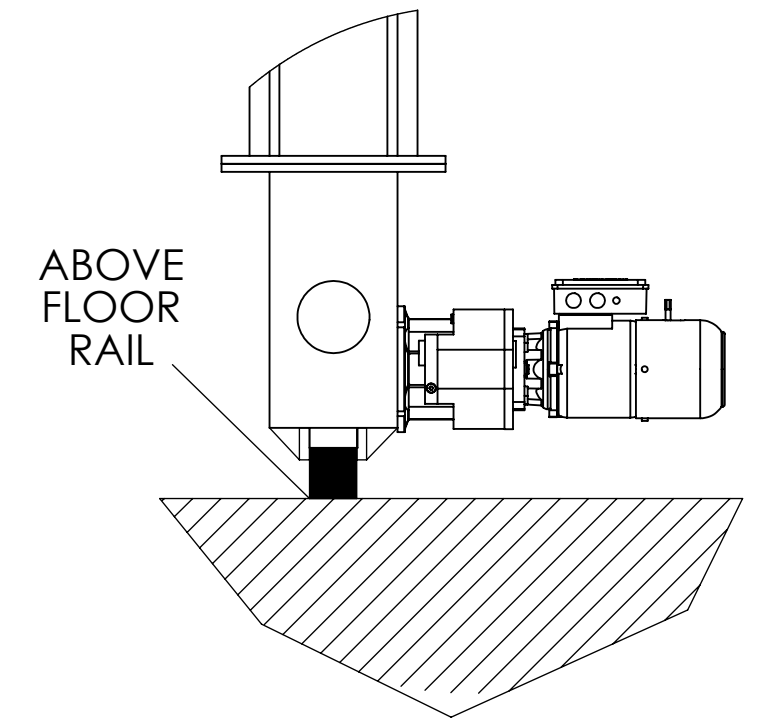


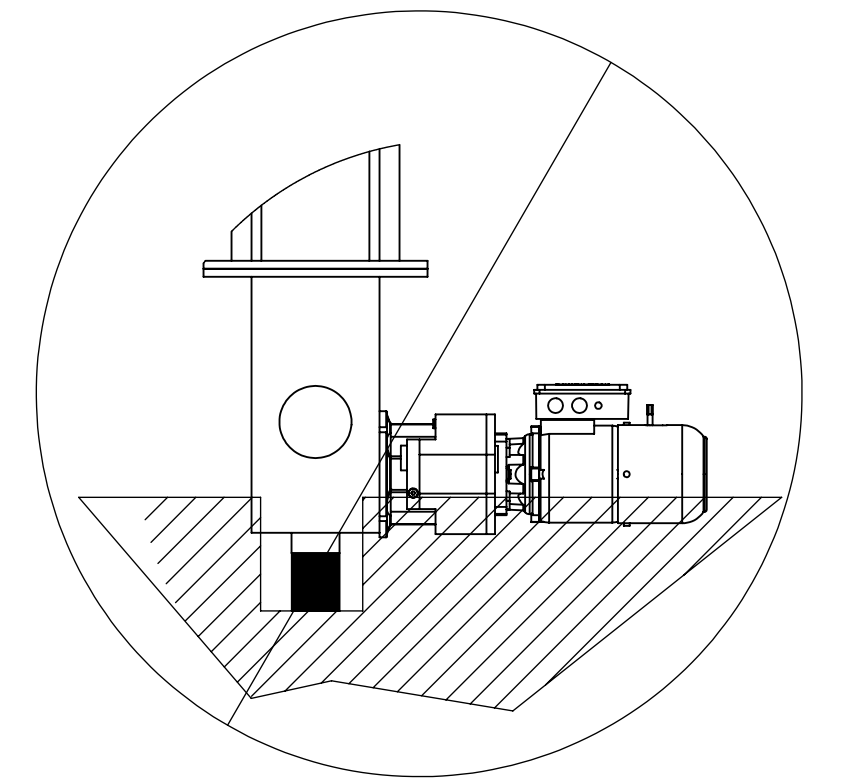
- NOTE:
 1. TORQUE ϕ 3/4-10 A325 FASTENERS TO 350-425 FT-LBS
 2. RUNWAY ELECTRIFICATION IS STANDARD ON LEFT SIDE
 3. WHEEL LOADS DUE NOT INCLUDE IMPACT



GANTRY RAIL DETAIL



CLEARANCE NOTE: PATH OF ENDRUCK AND DRIVE MUST BE FREE OF OBSTACLES. RAIL SHOULD BE ABOVE FLOOR.



UNLESS PROPERLY DESIGNED, A BELOW FLOOR RAIL WILL CAUSE INTERFERENCE WITH ENDRUCK AND DRIVE. PLEASE CONTACT SALES WITH EXACT FLOOR AND RAIL DETAILS.

SINGLE GIRDER GANTRY CRANE - TYPE ELG-10

HOIST					ENDTRUCK - HSG						SYSTEM								
CAPACITY TONS	TYPE REEVING	SPEED FPM HP	TROLLEY HP	WEIGHT LBS	WHEEL DIAMETER 'WD'	SPEED FPM HP	WHEEL BASE 'WB'	LENGTH 'ET'	HEIGHT 'HT'	WT / EACH LBS	LIFT 'LH'	L1	L2	SPAN FT	HEIGHT 'OAH'	LENGTH 'OAL'	WHEEL LOAD 'R' LBS	SHIPPING WEIGHT LBS	
10	EM3000E 4/1	16/2.6	1.5	2230	8"	120	12'-6"	14'-0"	14"	1100	15'-6.5"	32"	21"	20	19'-2"	22'-2"	13440	9910	
														24	19'-2"	26'-2"	13560	10380	
														28	19'-2"	30'-2"	13680	10860	
														32	19'-2"	34'-2"	13800	11340	
														36	19'-2"	38'-2"	13920	11810	
		40				19'-5"								42'-2"	14330	13460			
		44				19'-5"								46'-2"	14480	14050			
		48				19'-8"								50'-2"	14810	15390			
		52				19'-8"								54'-2"	14970	16040			
		56				19'-8"								58'-2"	15140	16690			

PROPERTY OF EMH INC. THIS DRAWING IS CONFIDENTIAL AND IT OR ANY COPIES THEREOF SHALL BE RETURNED UPON REQUEST.